

4头高速数码印花机

4-Head High Speed Digital Printing Machine

i3200-A1-4H

LF-194H

160m²/h



微压电系统
PrecisionCore

高耐久性
High durability

VSDT
多灰度输出
Support for grey scale

600
高分辨率
High resolution

LF-194H 高速数码印花机

产品特点

独家自研全铝升降墨栈，封头更可靠，更耐用。
恒温自动烘干系统，材料受热均匀，墨水吸附性好，画面细腻饱满。
超大容量缺墨报警系统，智能提醒功能，保证连续供墨，更人性化。
缺纸报警系统，纸张打印完毕智能提醒，操作更方便、安全。

技术参数

名称	四头高速数码印花机
设备型号	LF-194H
喷头类型及数量	i3200-A1 4pcs
打印宽幅	1.8M
适用介质	热转印纸
烘干系统	自动恒温烘干机
RIP 软件	标配蒙泰, RIIN, Photoprint (可选)
温度/湿度	温度: 20-30°C, 湿度: 45-65%
功率	机器功率: 230W 外置烘干: 2400W

LF-194H High speed digital printer

Product features

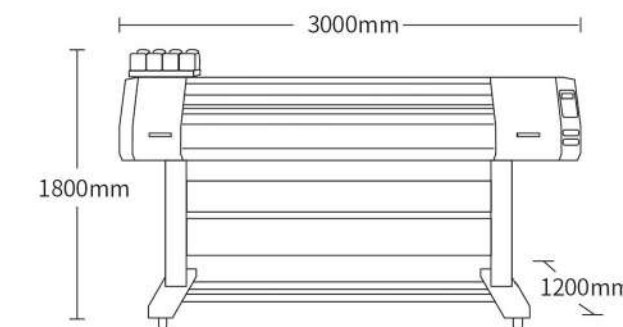
Exclusive self-developed all aluminum ink stack, more reliable and durable head.
Auto constant temperature drying system, the material is uniformly heated, ink absorbs well and picture is delicate and full.
Large capacity lack of ink alarm system, intelligent reminder function, make sure continually supply ink, more humanity.
Lack of paper alarm system, paper printed intelligent reminder, more convenient and safe operation.

Specifications

Name	4-head high speed digital printing mach
Model	LF-194H
Printhead and Quantity	i3200-A1 4pcs
Printing width	1.8M
Media Type	Thermal transfer paper
Heating system	Auto constant temperature drying system
RIP Software	Main Top ,RIIN,Photoprint (Optional)
Temperature/Humidity	Temperature: 20-30 C , Humidity: 45-65%
Power	Power: 230W External drying: 2400W

机器尺寸: L3000mm*W1200mm*H1800mm
包装尺寸: L3180mm*W840mm*H750mm
L3000mm*W1000mm*H1000mm
净重: 420KG

Machine Dimension: L3000mm*W1200mm*H1800mm
Package Dimension:L3180mm*W840mm*H750mm
L3000mm*W1000mm*H1000mm
Net Weight: 420KG



电源 Voltage
AC220V