



3.2m 8头工业级超高速数码印花机

3.2m-8-Head High Speed Industrial Digital Printing Machine

i3200-A1-8H

340m²/h



LF-3208

- 微压电系统 PrecisionCore
- 高耐久性 High durability
- VSDT 多灰度输出 Support for grey scale
- 600 高分辨率 High resolution

集团总部：广州市开发区光谱西路3号皓叶国际
 Group HQ.: The 1st Floor of R&D Bd. No.3 Guangpu West Rd., Huangpu Zone, Guangzhou city, Guangdong Province PRC.
 E-mail: Betty030318@126.com
 Website: www.leaf-cn.com



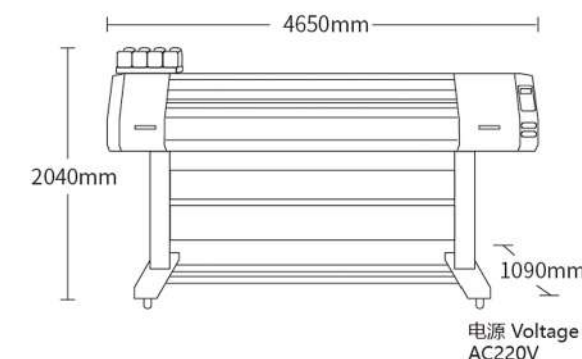
皓叶国际集团荣誉出品
 Honorably produced by Bright Leaf Int'l Group

产品特点

一体式重型整机钢架结构，机身更稳固，走线布局更合理。
 独家自研全铝升降墨栈，封头更可靠，更耐用。
 优化的气胀轴+高精平台+前导杆三位一体收放系统，避免打印中纸张出现跑偏，起皱现象。
 超大功率烘干系统，解决高速打印中墨量不干引起的皱纸问题。
 承载重量大、使用寿命长、放纸收纸受力均匀。
 超大容量缺墨报警墨瓶，保证连续供墨，智能提醒功能，更人性化。
 缺墨报警系统，缺纸不打印。

Product features

One piece heavy stainless steel frame structure, the body more stable and the wire layout is more reasonable.
 Exclusive self-developed all aluminum ink stack, more reliable and durable head.
 Perfect air shaft+high precision platform+leading rod feeding and take-up system to avoid paper deviating and wrinkling during printing.
 Super power drying system can solve the problem of wrinkling paper caused by not drying ink in high speed printing.
 bearing weight, long service life, feeding and take-up paper load uniform.
 Large capacity lack of ink alarm system, intelligent reminder function, make sure continually supply ink, more humanity.



机器尺寸:

Machine Dimension:
 L4790*W1270mm*H2040mm

包装尺寸:

Package Dimension:
 L4860*W1200*H1750mm (主机包装 / host packaging)

净重: 1250KG 毛重: 1560KG
Net Weight: **Gross Weight:**

技术参数 Specifications

| 名称 Name | 八头高速数码印花机 8-head high speed digital printing mach |
|--------------------------------|--|
| 设备型号 Model | LF-3208 |
| 喷头类型及数量 Printhead and Quantity | I3200-A1 8pcs |
| 打印宽幅 Printing width | 3.2M |
| 适用介质 Media Type | 热转印纸 / Thermal transfer paper |
| 烘干系统 Heating system | 自动恒温烘干机 / Auto constant temperature drying system |
| RIP 软件 RIP Software | 标配蒙泰, RIIN, Photoprint (可选) / Main Top,RIIN,Photoprint (Optional) |
| 温度/湿度 Temperature/Humidity | 温度: 20-30°C, 湿度: 45-65% / Temperature: 20-30°C, Humidity: 45-65% |
| 功率 Power | 机器功率 / Power: 1300W 前置烘干 / Preposition: 7200W 底部烘干 / Bottom: 3600W(选配) |