

LEAF

1.2米8头高速数码印花机 1.2M 8-head high speed digital printing mach

LF-1208 I3200-A1-8H



1Pass
225m²/h

2Pass
125m²/h



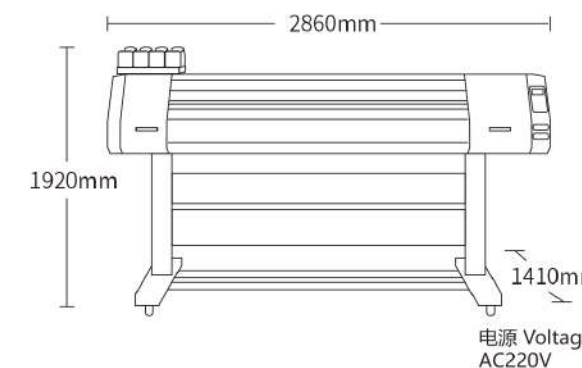
稳定可靠

产品特点

独家自研全铝升降墨栈，封头更可靠，更耐用。
恒温自动烘干系统，材料受热均匀，墨水吸附性好，画面细腻饱满。
个性化定制，适用于织带、烫画行业。
超大容量缺墨报警系统，智能提醒功能，保证连续供墨，更人性化。
缺纸报警系统，纸张打印完毕智能提醒，操作更方便、安全。

Product features

Exclusive self-developed all aluminum ink stack, more reliable and durable head.
Auto constant temperature drying system, the material is uniformly heated, ink absorbs well and picture is delicate and full.
personalized customization, it suit for braid and pyrography industry.
Large capacity lack of ink alarm system, intelligent reminder function, make sure continually supply ink, more humanity.
Lack of paper alarm system, paper printed intelligent reminder, more convenient and safe operation .



机器尺寸:
Machine Dimension:
L2860*W1410mm*H1920mm

包装尺寸:
Package Dimension:
L2955*W1195*H1800mm

技术参数 Specifications

名称 Name	双头高速数码印花机 2-head high speed digital printing mach
设备型号 Model	LF-1208
喷头类型及数量 Printhead and Quantity	I3200-A1 8pcs
打印宽幅 Printing width	1.2M
适用介质 Media Type	热转印纸 / Thermal transfer paper
烘干系统 Heating system	自动恒温烘干器 / Auto constant temperature drying system
RIP 软件 RIP Software	标配蒙泰, RIIN, Photoprint (可选) / Main Top ,RIIN,Photoprint(Optional)
温度/湿度 Temperature/Humidity	温度: 20-30°C , 湿度: 45-65% / Temperature: 20-30°C, Humidity: 45-65%
功率 Power	机器功率: 230W 前置烘干: 6000W 底部烘干: 4000W / Power: 230W Preposition: 6000W Bottom: 4000W